

**Galway BusConnects**

**Dublin Road**

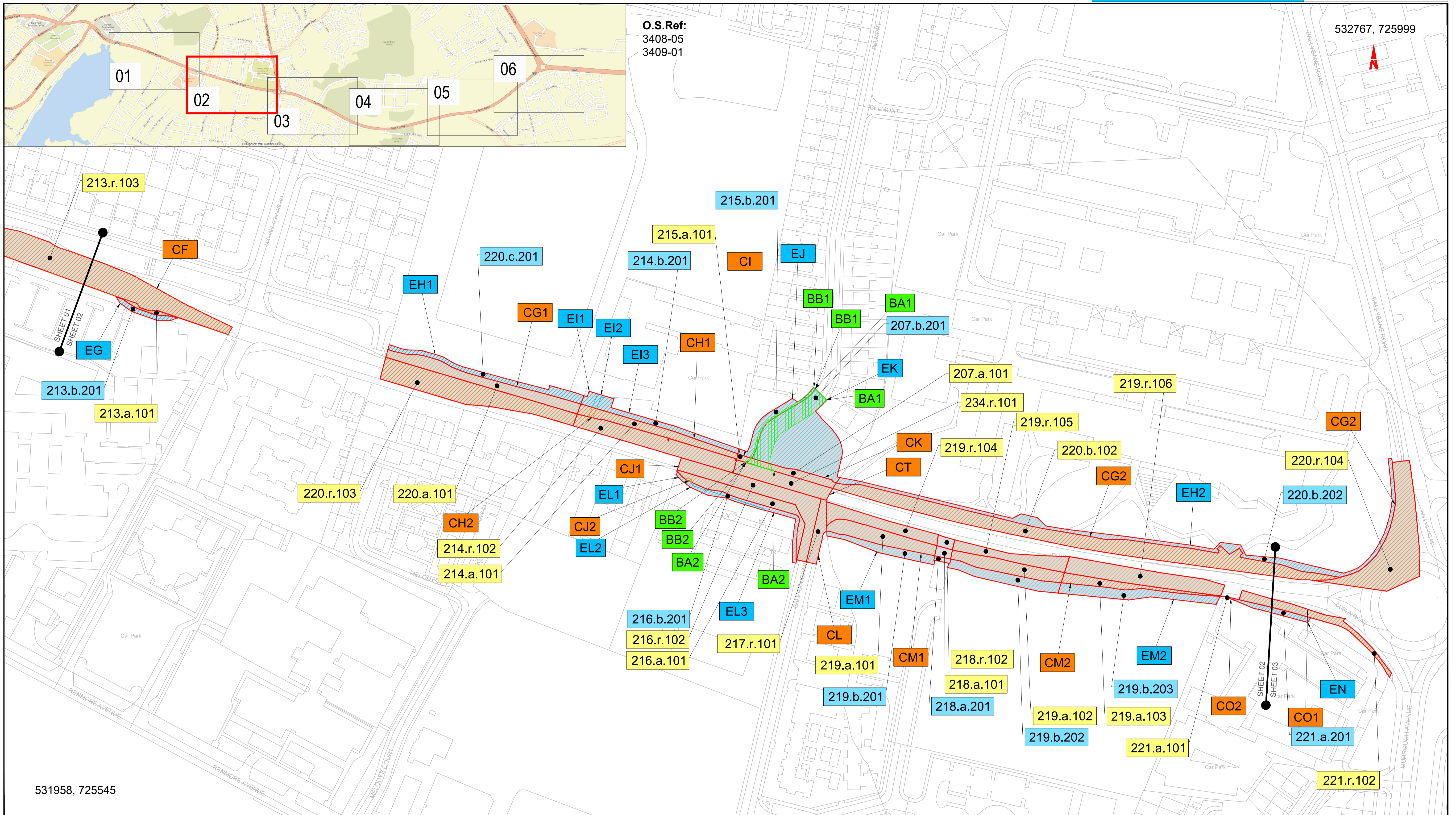
**Compulsory  
Purchase  
Order**

**Deposit Maps**

**BUS  
CONNECTS**

SUSTAINABLE TRANSPORT FOR A BETTER CITY.





O.S.Ref:  
3408-05  
3409-01

532767, 725999

531958, 725545

**Legend:**

- LANDS BEING PERMANENTLY ACQUIRED\*  
\*SCHEDULE PART I (Shaded in Grey)
- LANDS BEING TEMPORARILY ACQUIRED\*\*  
\*\*SCHEDULE PART II (Shaded in Grey)
- AA1  AA1 Public rights of way to be extinguished listed in the SCHEDULE PART III (Section A)
- BA1  BA1 Public rights of way to be restricted or otherwise interfered with listed in the SCHEDULE PART III (Section B)
- CA Private rights to be acquired listed in the SCHEDULE PART IV (Section A)
- DA Private rights to be restricted or otherwise interfered with listed in the SCHEDULE PART IV (Section B)
- EA Private rights to be restricted or otherwise interfered with listed in the SCHEDULE PART IV (Section C)

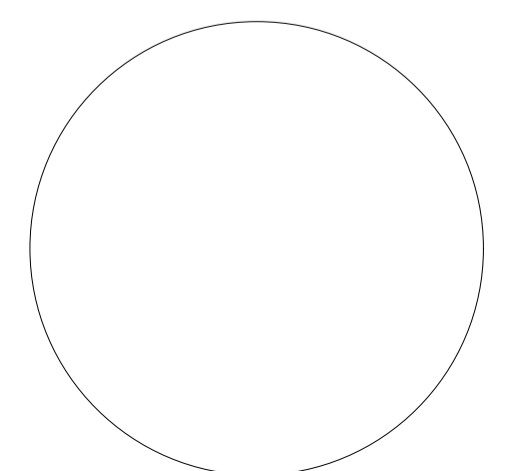
Project when the seal of Galway City Council was affixed here to  
 This \_\_\_\_\_ Day of \_\_\_\_\_ 2025  
 Chief Executive \_\_\_\_\_  
 Nominated Member \_\_\_\_\_



**GALWAY CITY COUNCIL**  
**Bus Connects Galway:**  
**Dublin Road**  
 Compulsory Purchase Order  
 No.BCGDR-CPO-0001-2025

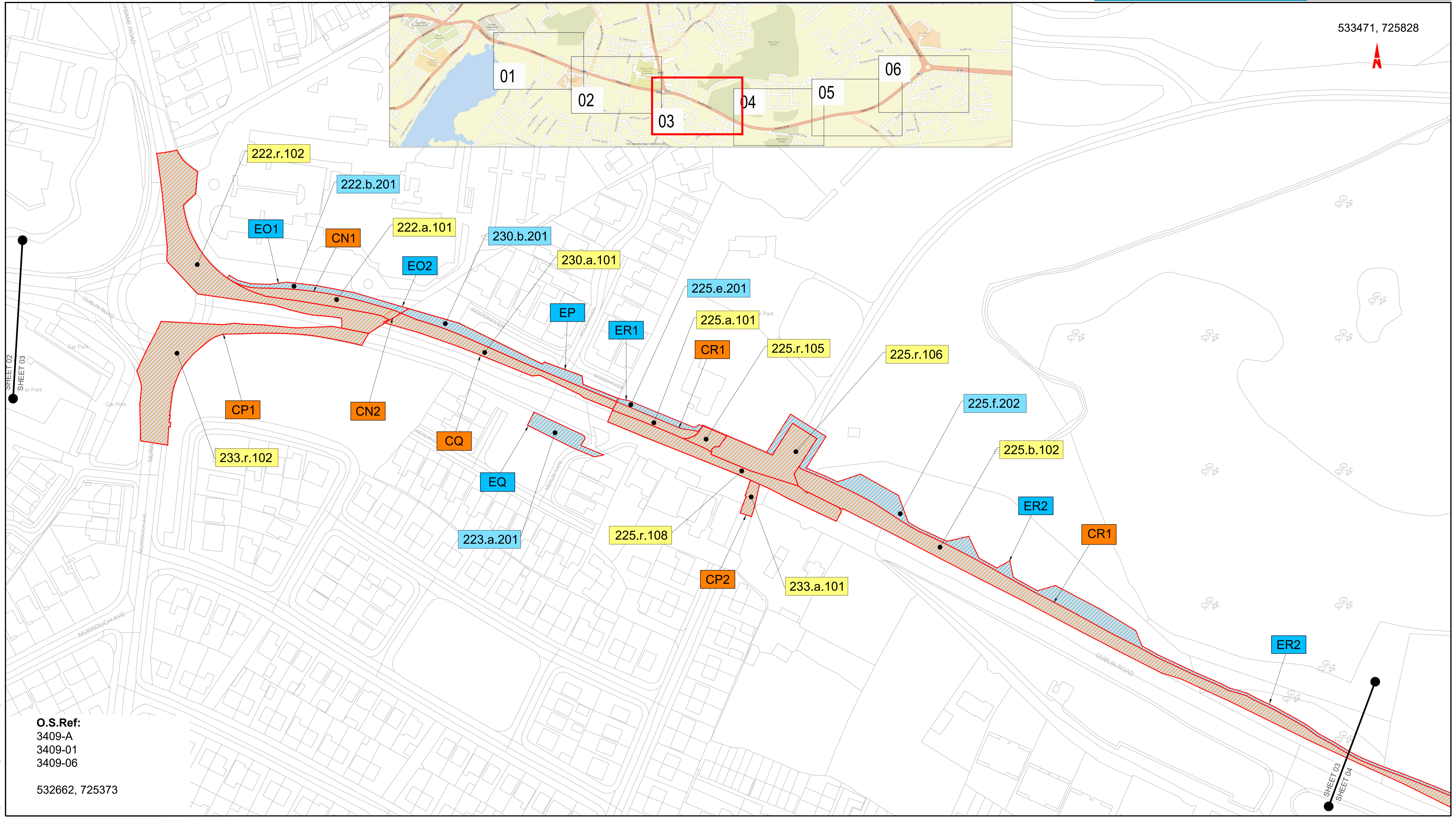
Rev.	Date	Drawn	Description	Chk'd	Appr.
C02	13.06.25	GW	ISSUE FOR PLANNING	JMcM	
C01	06.12.24	GW	ISSUE FOR PLANNING	JMcM	

BUSCONNECTS GALWAY: DUBLIN ROAD			
LANDS TO BE COMPULSORILY ACQUIRED			
DEPOSIT MAP			
SHEET 02 OF 06			
Designed: GW	File Name: BCGDR-CPO-PDV_SI-XX-DR-TX-00002	Drawing No. BCGDR-DM-02	Rev: C02
Drawn: GW	Scale at A1: 1:1000		
Approved: JN	Date: JUNE 2024		
Reviewed: JMcM			






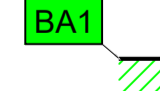



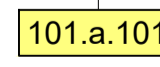
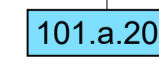
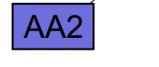
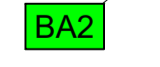



File Name: R:\22 Projects\22407 - BusConnects Galway - Dublin Road\00\_GEN\020\_Drawing\BCGDR-CPO-PDV\_SI-XX-DR-TX-00002.dwg

533471, 725828



O.S.Ref:  
3409-A  
3409-01  
3409-06  
  
532662, 725373

**Legend:**

	LANDS BEING PERMANENTLY ACQUIRED* *SCHEDULE PART I (Shaded in Grey)		LANDS BEING TEMPORARILY ACQUIRED** **SCHEDULE PART II (Shaded in Grey)		AA1 AA1	Public rights of way to be extinguished listed in the SCHEDULE PART III (Section A)		BA1 BA1	Public rights of way to be restricted or otherwise interfered with listed in the SCHEDULE PART III (Section B)		CA	Private rights to be acquired listed in the SCHEDULE PART IV (Section A)		DA	Private rights to be restricted or otherwise interfered with listed in the SCHEDULE PART IV (Section B)		EA	Private rights to be restricted or otherwise interfered with listed in the SCHEDULE PART IV (Section C)
	101.a.101		101.a.201		AA2 AA2			BA2 BA2										

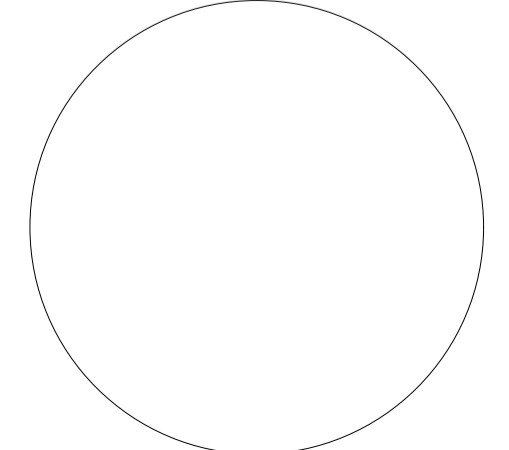
Project when the seal of Galway City Council was affixed here to  
 This \_\_\_\_\_ Day of \_\_\_\_\_ 2025  
 Chief Executive \_\_\_\_\_  
 Nominated Member \_\_\_\_\_

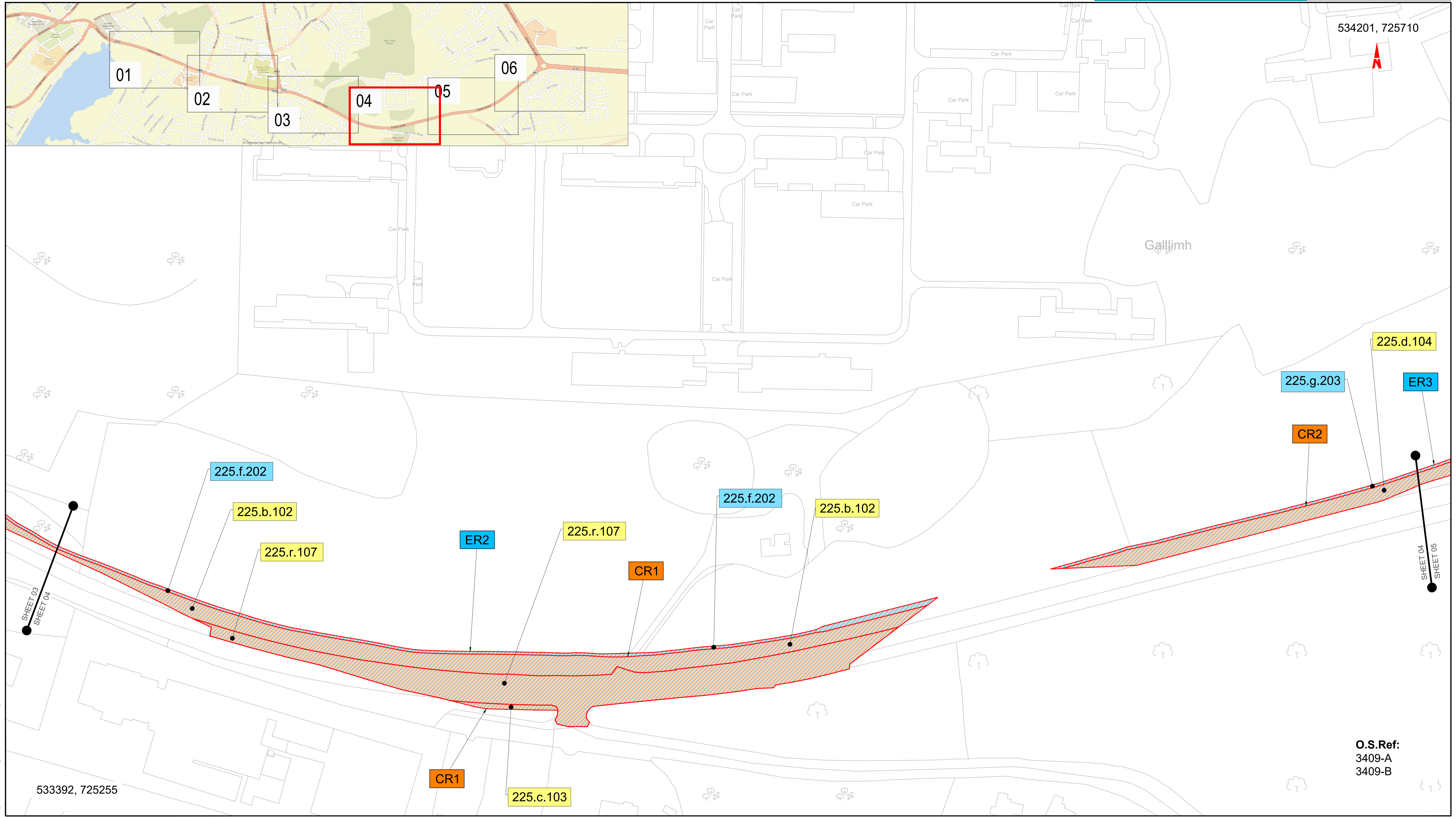


**GALWAY CITY COUNCIL**  
**Bus Connects Galway:**  
**Dublin Road**  
 Compulsory Purchase Order  
 No.BCGDR-CPO-0001-2025

Rev.	Date	Drawn	Description	Chk'd	Appr.
C01	06.12.24	GW	ISSUE FOR PLANNING	JMM	JN




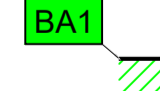



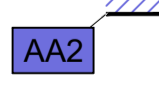
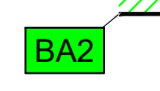
BUSCONNECTS GALWAY: DUBLIN ROAD			
LANDS TO BE COMPULSORILY ACQUIRED			
DEPOSIT MAP			
SHEET 03 OF 06			
Designed: GW	File Name: BCGDR-CPO-PDV_SI-XX-DR-TX-00003	Drawing No. BCGDR-DM-03	Rev: C01
Drawn: GW	Scale at A1: 1:1000		
Approved: JN	Date: JUNE 2024		
Reviewed: JMcM			





File Name: R:\22 Projects\22407 - BusConnects Galway - Dublin Road\00\_GEN\020\_Drawing\BCGDR-CPO-PDV\_SI-XX-DR-TX-00004.dwg

**Legend:**

 101.a.101	LANDS BEING PERMANENTLY ACQUIRED* *SCHEDULE PART I (Shaded in Grey)	 101.a.201	LANDS BEING TEMPORARILY ACQUIRED** **SCHEDULE PART II (Shaded in Grey)	 AA1	Public rights of way to be extinguished listed in the SCHEDULE PART III (Section A)	 BA1	Public rights of way to be restricted or otherwise interfered with listed in the SCHEDULE PART III (Section B)	 CA	Private rights to be acquired listed in the SCHEDULE PART IV (Section A)	 DA	Private rights to be restricted or otherwise interfered with listed in the SCHEDULE PART IV (Section B)	 EA	Private rights to be restricted or otherwise interfered with listed in the SCHEDULE PART IV (Section C)
				 AA2		 BA2							

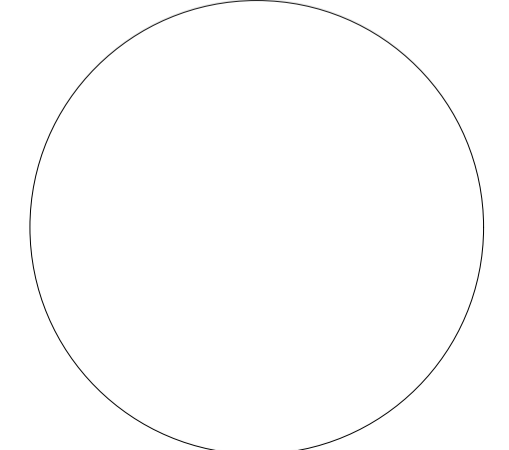
Project when the seal of Galway City Council was affixed here to  
 This \_\_\_\_\_ Day of \_\_\_\_\_ 2025  
 Chief Executive \_\_\_\_\_  
 Nominated Member \_\_\_\_\_



**GALWAY CITY COUNCIL**  
**Bus Connects Galway:**  
**Dublin Road**  
 Compulsory Purchase Order  
 No.BCGDR-CPO-0001-2025

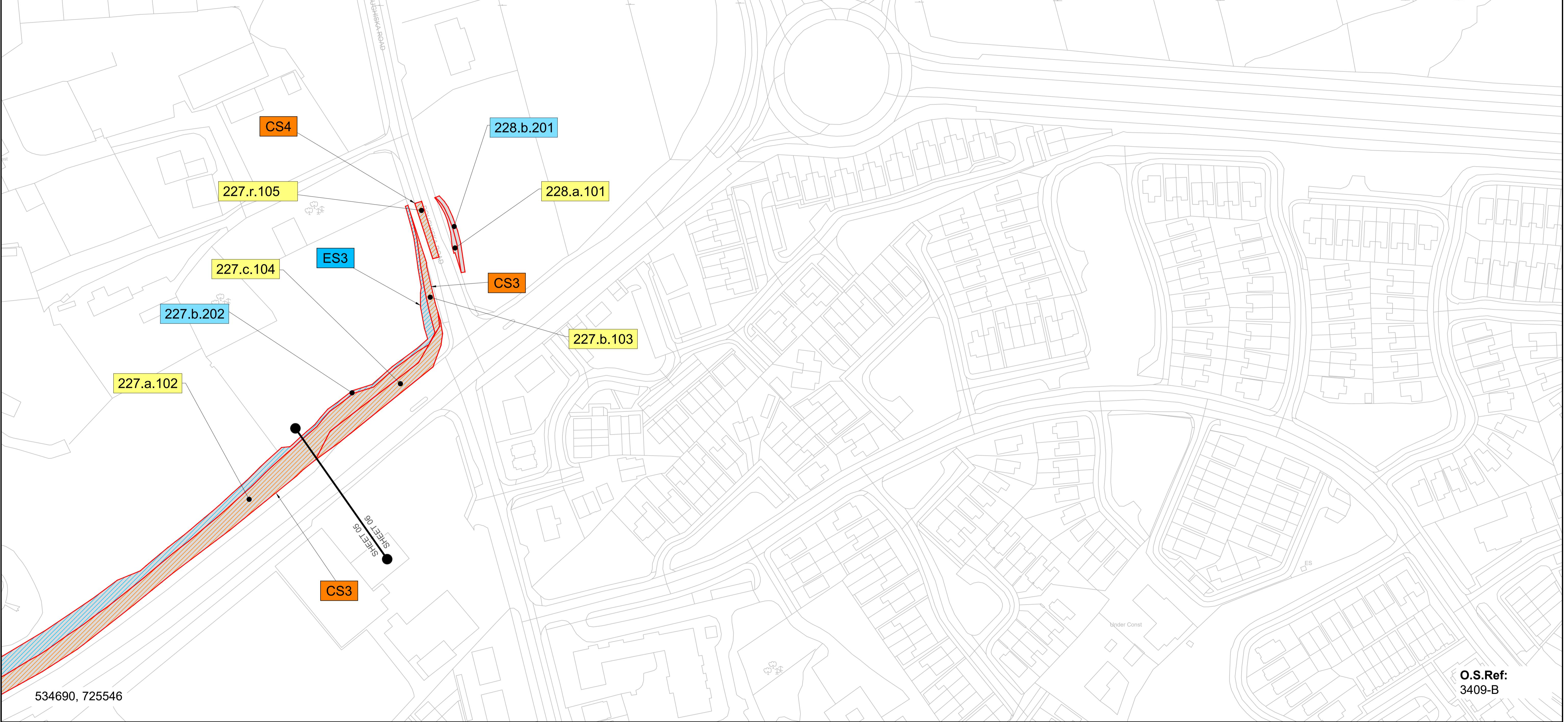
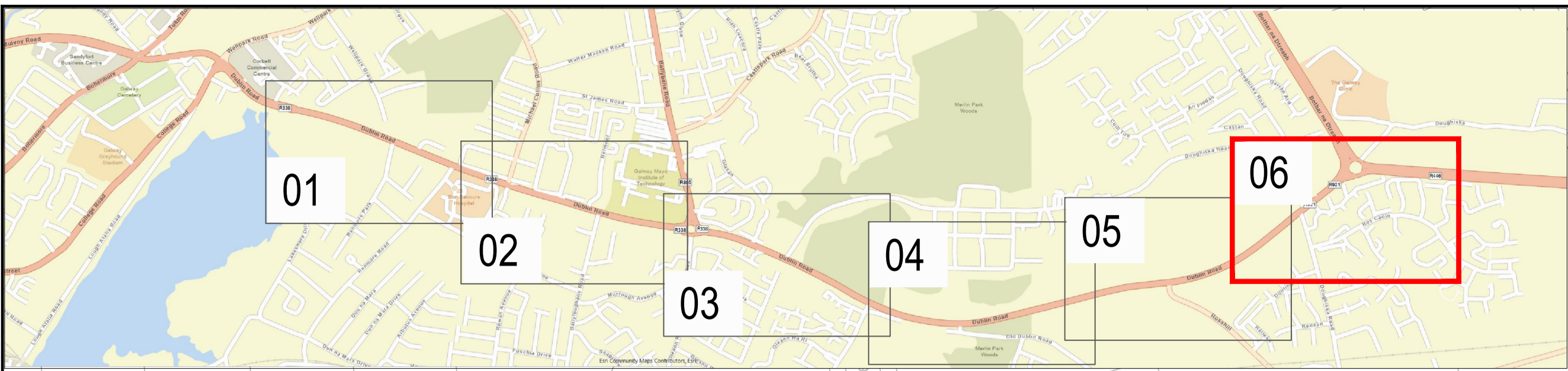
Rev.	Date	Drawn	Description	Chk'd	Appr.
C01	06.12.24	GW	ISSUE FOR PLANNING	JMcM	JN

<b>BUSCONNECTS GALWAY: DUBLIN ROAD</b>			
LANDS TO BE COMPULSORILY ACQUIRED			
DEPOSIT MAP			
SHEET 04 OF 06			
Designed: GW	File Name: BCGDR-CPO-PDV_SI-XX-DR-TX-00004	Drawing No. BCGDR-DM-04	Rev: C01
Drawn: GW	Scale at A1: 1:1000		
Approved: JN	Date: JUNE 2024		
Reviewed: JMcM			





535499, 726000



534690, 725546

O.S.Ref:  
3409-B

**Legend:**

- LANDS BEING PERMANENTLY ACQUIRED\*  
\*SCHEDULE PART I (Shaded in Grey)
- LANDS BEING TEMPORARILY ACQUIRED\*\*  
\*\*SCHEDULE PART II (Shaded in Grey)
- AA1  AA1 Public rights of way to be extinguished listed in the SCHEDULE PART III (Section A)
- AA2  AA2
- BA1  BA1 Public rights of way to be restricted or otherwise interfered with listed in the SCHEDULE PART III (Section B)
- BA2  BA2
- CA Private rights to be acquired listed in the SCHEDULE PART IV (Section A)
- DA Private rights to be restricted or otherwise interfered with listed in the SCHEDULE PART IV (Section B)
- EA Private rights to be restricted or otherwise interfered with listed in the SCHEDULE PART IV (Section C)

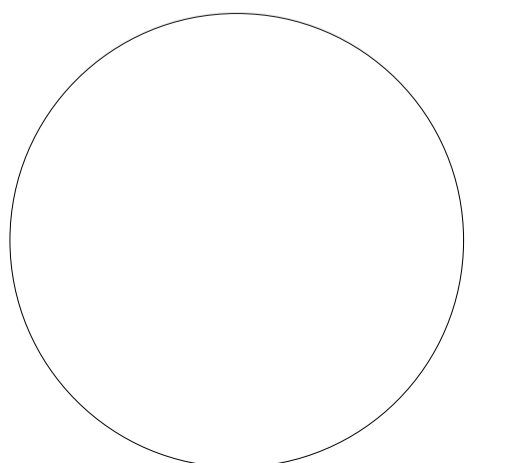
Project when the seal of Galway City Council was affixed here to  
 This \_\_\_\_\_ Day of \_\_\_\_\_ 2025  
 Chief Executive \_\_\_\_\_  
 Nominated Member \_\_\_\_\_



**GALWAY CITY COUNCIL**  
**Bus Connects Galway:**  
**Dublin Road**  
 Compulsory Purchase Order  
 No.BCGDR-CPO-0001-2025

Rev.	Date	Drawn	Description	Chk'd	Appr.
C01	06.12.24	GW	ISSUE FOR PLANNING	JMM	JN

BUSCONNECTS GALWAY: DUBLIN ROAD			
LANDS TO BE COMPULSORILY ACQUIRED			
DEPOSIT MAP			
SHEET 06 OF 06			
Designed: GW	File Name: BCGDR-CPO-PDV_SI-XX-DR-TX-00006	Drawing No. BCGDR-DM-06	Rev: C01
Drawn: GW	Scale at A1: 1:1000		
Approved: JN	Date: JUNE 2024		
Reviewed: JMcM			





Údarás Náisiúnta Iompair  
National Transport Authority

National Transport Authority  
Dún Scéine  
Harcourt Lane  
Dublin 2  
D02 WT20



Project Ireland 2040  
*Building Ireland's Future*